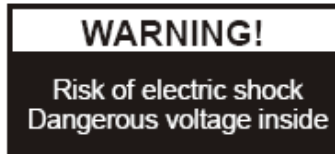


PRECAUTIONS



Please follow these precautions:

To prevent fire or shock hazard, do not expose the unit to rain or moisture.

To prevent electrical shock, do not open the cabinet. Refer to qualified personnel for service only.

Do not use the unit continuously for more than 24 hours with camera auto focus on. It may cause damage to the camera lens.

Be careful not to spill water or other liquids onto the unit, or allow combustible or metallic objects to get inside the cabinet.

Unplug the QP10 from the wall outlet when it is not in use for an extended period of time.

Clean cabinet with a soft cloth lightly moistened with a mild detergent.

Clean lens carefully with an air spray or soft dry cloth to avoid scratching.

When lamps flash or become dark, they should be replaced with new ones.

Avoid interchanging arm lights and back light frequently.

CONTACTS:

QOMO HITEVISION, LLC

Toll Free: 1-866-990QOMO

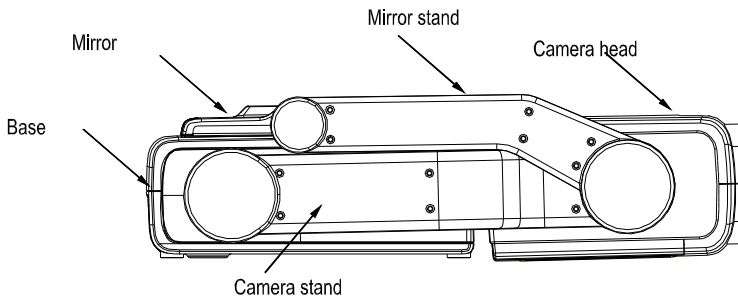
E-Mail: info@qomo.com

Web: www.qomo.com

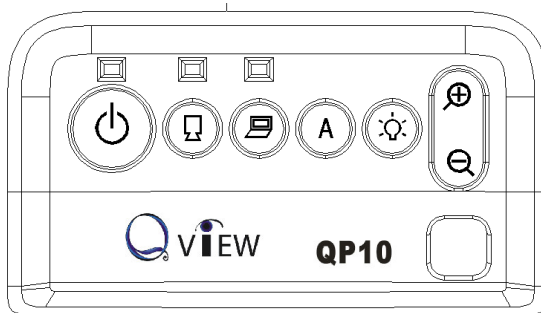
CONTENTS:

PARTS IDENTIFICATION	3
CONTROL PANEL	3
REMOTE CONTROL	4
CONNECTIONS.....	6
BASIC PREPARATIONS.....	7
INSTALLING QOMO VISUALIZER SOFTWARE	10
USB CAPTURE FOR MAC COMPUTER	12
VIDEO DISPLAY AND CAPTURE	12
OTHER APPLICATIONS.....	13
FOLDING THE UNIT	15
SPECIFICATIONS.....	16
TECHNICAL SUPPORT.....	17



PARTS IDENTIFICATION




CONTROL PANEL




Power button

Press the  button once to power on the QP10; press the  button again to power off the QP10.

Output QP10 signal button

Press the  button, the RGB OUTPUT terminal outputs the QP10 signal.

Output computer signal button

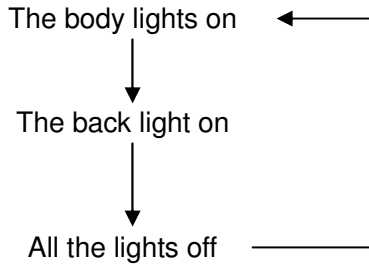
Press the  button, the RGB OUTPUT terminal outputs computer signal.

Auto button **A**



Press the **A** button to automatically adjust white balance and focus.

Light button

Each time you press the  button, the lighting changes as below:



Zoom button  / .

Press the  or  button to zoom in or zoom out.

REMOTE CONTROL




The remote control can control the camera from different angles. Please note that an infrared remote control can only be used up to a certain distance to the unit. Objects situated between the QP10 and the infrared remote control and a weak battery may interfere with the reception.

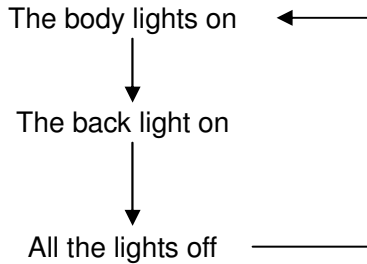
POWER: Press the “POWER” button once to power on the QP10; press

the “POWER” button again to power off the QP10.

NEG: Press the “NEG” button once to display file negatives and press the “NEG” again to display normal objects.

MIRROR: Press the “MIRROR” button to vertically reverse the image; press the “MIRROR” button again to exit the mirror mode.

LAMP: Each time you press the  button, the lighting changes as below:



FREEZE: Press the “FREEZE” button once to freeze the image; Press the “FREEZE” button again to exit the freeze mode.

XGA: Press the “XGA” button once to display images at the SVGA (800X600) mode; Press the “XGA” button again to display images at the XGA (1024X768) mode.

B&W: Press the “B&W” button once to display images at the black and white mode; Press the “B&W” button again to display images at the color mode.

SPLIT: Press the “SPLIT” button the image will be split into two images. One is the live image and the other is a frozen image. Press the “SPLIT” button again to exit.

D./S.: Press the “D./S.” button once to display still images with better clarity; Press the “D./S.” button again to display moving objects at real time (30 frame/second).

TEXT: Press the “TEXT” button once to switch to the text mode to sharp the edge of the text. Press the “TEXT” button again to return to the

image mode.

TITLE: Press the “TITLE” button once to freeze top 1/8 of the screen. Press the “TITLE” button again to exit.

AUTO: Press the “AUTO” button to automatically adjust white balance and focus.

TELE/WIDE: Press the “TELE” button to zoom in and press the “WIDE” button to zoom out.

FAR/NEAR: Press the “FAR” button to focus far; Press the “Near” button to focus near.

CCD: Press the “CCD” button to display the camera (QP10) signal.

RGB: Press “RGB” button to display the computer signal.

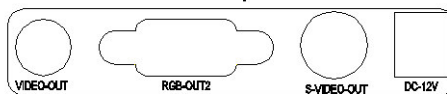
BRIGHT +/-: Press the “+” button to increase the brightness, Press the “-” to decrease the brightness.

RED +/-: Press the “+” button to increase the red hue, Press the “-” to decrease the red hue.

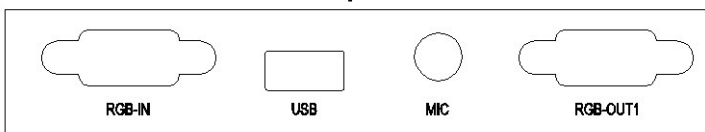
BLUE +/-: Press the “+” button to increase the blue hue, Press the “-” to decrease the blue hue.

CONNECTIONS

Rear panel



Side panel



DC-12V IN: External 12V power adapter input connector

S-VIDEO-OUT/VIDEO-OUT: QP10 video output

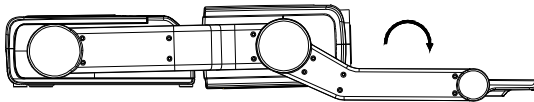
RGB-OUT1/ RGB-OUT2: RGB output (Output the same signal)

RGB-IN: Laptop, computer or other RGB signal input

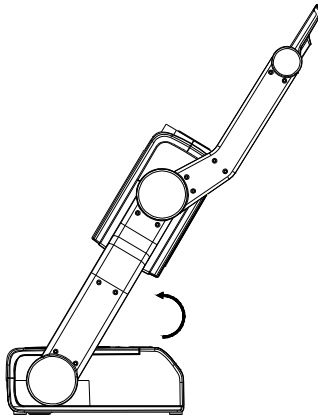
USB: Computer image capture and video recording for both PC and MAC

BASIC PREPARATIONS

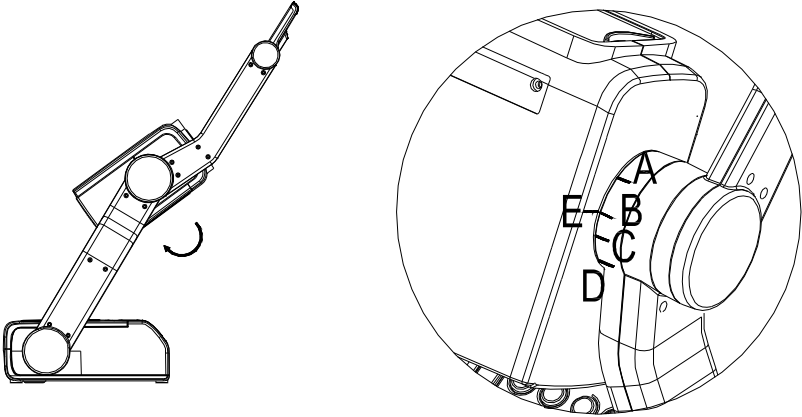
1. Use one hand to hold the base of the QP10 and use the other hand to carefully lift up the mirror stand of the unit.



2. Place the camera stand to the maximum position.



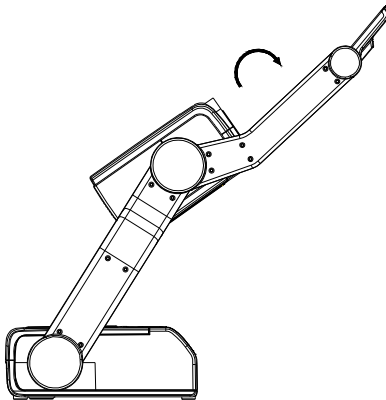
3. Rotate the camera head, make mark E on the camera head in line with mark B on the camera stand.



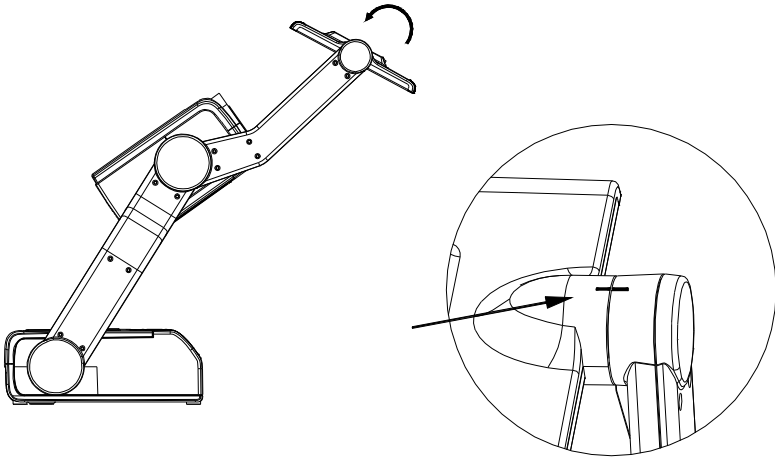
Attention:

When mark E is in line with A, the camera head and the base are parallel. When mark E is in line with mark D, the camera head is vertical to the base are vertical. When the QP10 is folded, mark E is in line with mark C.

4. Place the mirror stand to the maximum position.



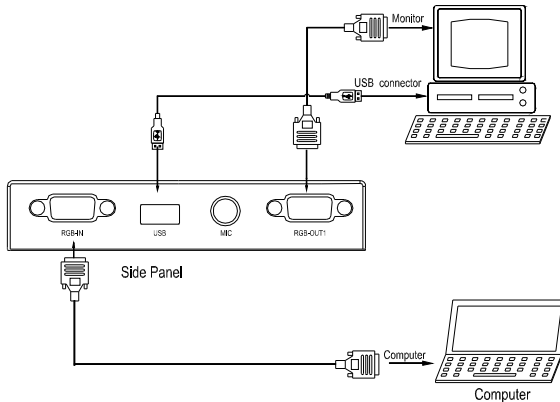
5. Rotate the mirror to the position that the two mark lines are lined up.



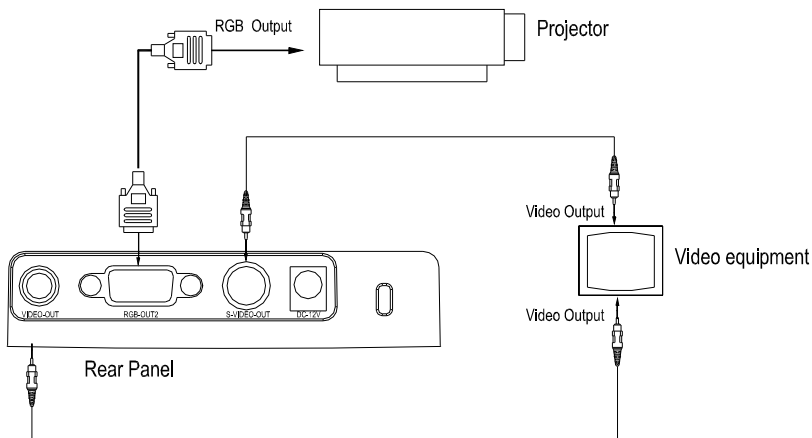
6. Making connections:

Before making any connections, **turn off all the power**. Please ensure that the QP10 along with all other equipments are turned off.

Step 1: Connect to the computer



Step 2: Connect to the projector and video equipment.



Step 3: Connect power source.

Once the QP10 is set up, plug the power adapter that comes with your QP10 into the DC 12V IN connector and an external power resource. Press the power button on the operating panel to turn on the QP10.

INSTALLING QOMO VISUALIZER SOFTWARE

This function is to snap and display images with the USB interface, which includes displaying static and dynamic pictures, snapping dynamic images and playback the dynamic images with the Windows Media Player or its own player.



- A. Insert the CD-ROM that comes with the QP10 into the CD-ROM drive. If Autorun is enabled on your system, then the Software Setup window will be displayed automatically as below.

If it does not start automatically, after inserting the CD-ROM, Click [Start] -> [My Computer], and double click (the CD-ROM drive letter might be different in different computer systems), and then the above screen will appear immediately.

- B. Click the **Install DirectX9.0** button to install Microsoft DirectX 9.0.
- C. Click the **Install Capture Program** button to install the program that captures images in the AVI or JPG format.
- D. Click the **Install USB Driver** button to install the driver designed for the QP10 and will be used by the Capture Program.
- E. After the installation is finished, then click the **Exit** button to exit the Software Setup window.
- F. Shut down your computer when prompted in order for the changes to take effect.
- G. Use the USB2.0 cable provided to connect your computer to the QP10 before your computer is restarted.
- H. Turn on the QP10.

Remarks: DirectX9.0 is not necessary to install, it is mainly for computer print screen function.

Please pay attention to the following:

1. Computer hardware requirements: CPU: Pentium 4 2.0G or above, RAM: 256M or above, USB 2.0 port, Hard disk 40G or more
2. Operating system: Windows 2000 or above. If the operating system is Windows 2000, should install SP4. If the operating system is Windows XP, should install SP1.
3. Must use the high-speed USB cable provided.
4. When connecting the QP10 to a desktop computer using the high-speed USB cable provided, we recommend using the USB port located on the rear of the mainframe. The USB port on the front of the computer might have interference.
5. You need to install the USB driver again when you change a

computer's USB port. If this port has USB2.0 driver installed, there is no need to install the USB driver again.

6. If you cannot capture images under the Video Capture program, you need to set the signal input source as follows: click "Option"→"Video Crossbar", and then set INPUT as Video Composite In.

USB CAPTURE FOR MAC COMPUTER

Copy the folder "Mac Driver" into Mac hard disk, open the folder and double click "Empia 1.0.0b2.zip", the "setup" file appears. Following the screen notice, click "Next" and finish installation.

Notes:


1. Please connect the Mac computer and visualizer when installing driver.
2. Please use the USB2.0 cable provided with visualizer.

VIDEO DISPLAY AND CAPTURE



You can capture and control images on the visualizer from a computer connected with a USB connector.

Click [Start] -> [Program] -> [VideoCap] -> "VideoCapx.xx" (x.xx is software's version) to open the software.

A. Static Images Snap

Click "Capture"—>"Capture Frame", input the file name in dialog box, or you can click  icon on the toolbar, then input file name in dialog window. The image file is JPG format.

B. Snap Video Stream

Click "Capture"—> "Start Capture", input the file name in dialog box, or click  icon on the toolbar, then input the file name in dialog box. If you want to set the time limit for the capture, select "Capture"—>"Set Time Limit" to set the time limit. Click "Start Capture" to start capture, and click "Stop Capture" or  icon on the toolbar to stop

capture. (If you have set the time limit, it will stop automatically when the time is up.) The video file is AVI format.

C. Set the Frame Rate

Click [Capture] -> [Set Frame Rate], and click open “Choose Frame Rate” to set the frame rate.

D. Set Time Limit

Click [Capture] -> [Set Time Limit] to set the time limit while capturing video.

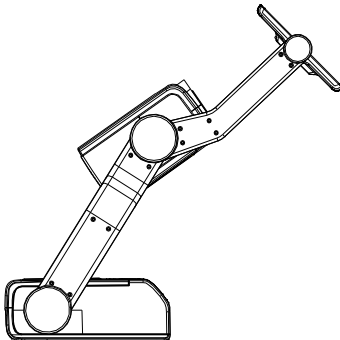
E. Note:

Do not connect / disconnect the USB cable when the application is running, which will cause the program to be interrupted.

OTHER APPLICATIONS

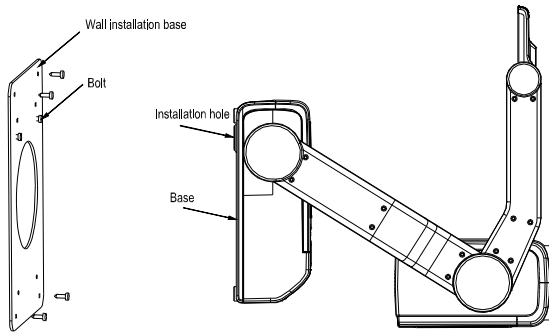
Displaying standard slides and negatives

Insert a standard slide or negative to the slot on the mirror, flip the mirror to the position that the slide or negative faces the camera head, then turn on the back light to display the slide or negative.

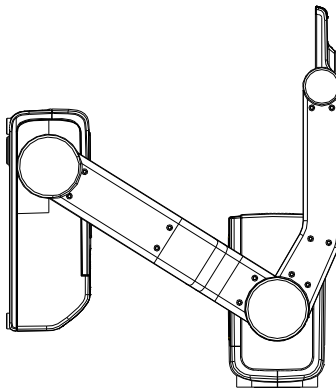


Wall mounting applications

Install QP10 on the wall and position the camera head parallel to the base.

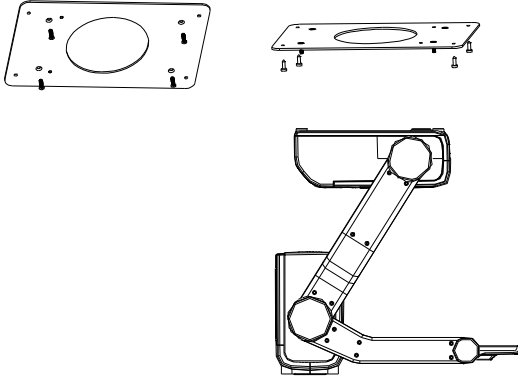


Install QP10 on the wall and position the camera head vertical to the base.



Ceiling mounting application

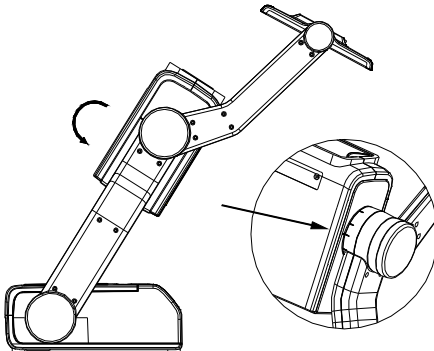
Attach the wall installation base to the base of the QP10, screw down the four screws to fix the base, and then mount the QP10 to the ceiling.



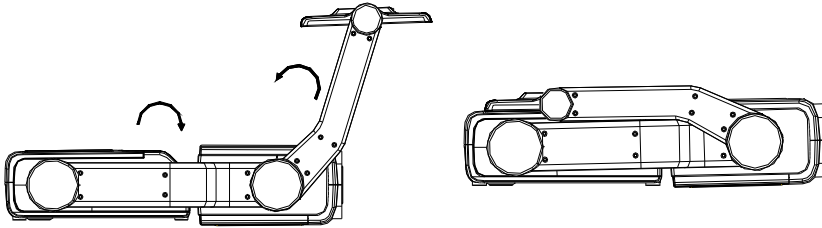
Notes: when not use mirror to reflect objects, the user must use remote control to exit the mirror mode. The visualizer set the mirror mode as default.

FOLDING THE UNIT

1. Use one hand to hold the base of the QP10, and then rotate the camera head to the marked position and flip the camera head to point toward the base.



2. Fold the mirror stand after the camera stand is folded.



SPECIFICATIONS

Pickup device	1/4" professional CCD
Total pixels	470,000
RGB Output Pixels	780,000
Lens*	F=1.6~3.7 mm/ f=3.9~85.8mm
Focus	12 x optical zoom, 8 x digital zoom
Focus/Iris	Auto/Manual
White balance	Auto
Image split	Yes
Image function	Negatives/positives, Freeze, mirror, B&W
RGB Input	DB15FLC*1
RGB output resolution	XGA、SVGA
RGB output	DB15FLC*2
Video output	RCA* 1,Min DIN4*1
USB connector	USB2.0
Arm light	1W LED *2
Back light	LED
Color adjustment	Yes
Brightness adjustment	Yes
Operation	0° C~40° C

Power requirements	12V/4A external AC adapter
Dimension(mm)	Setup: 351x172x327mm Folded: 308x172x85mm Packing: 430x183x346mm
Accessory	AC adapter, AC power cord, RGB cable, USB cable, VIDEO cable, S-VIDEO cable, Software CD, User's manual, Infrared remote control, Warranty card, carry case, Wall installation base
Weight	Net Weight: 2 Kg Gross Weight: 5 Kg

* Design and specifications are subject to change without notice.

TECHNICAL SUPPORT

How to Reach QOMO:

By Phone

Call us at 1-866-990QOMO. Our expert personnel provide technical assistance from 9:00AM through 5:00PM Eastern Standard Time, Monday through Friday. Please gather the following information before calling:

- Product model name(s) and numbers
- Product serial number(s)
- Detailed and specific questions

Online

Technical support is also available online at QOMO's web site at www.qomo.com. You can enter your questions and concerns through our online form. Or you can email us at info@qomo.com.

Copyrights © 2004 QOMO HITEVISION, LLC. All Rights Reserved.